



(Images for illustrative purposes only)

Kit Contents

- Grundfos 15-55 pump and internal check valve
- 6 Ft (2 m) BX conduit pre-wired to pump (includes in-line 4 Amp glass fuse)
- Flange kit
- Rinnai Circ-Logic™ Manual

Specifications

Housing Material	Stainless Steel with Check Valve
Flow Range	20 GPM
Head Range	17 Ft (5 m)
Max Liquid Temperature	150° F (65° C)
Maximum System Pressure	145 PSI
Input Voltage	115 V
Frequency	60 Hz
Max Amperage	0.75 A
Connection Size	3/4" Flange
Weight (Pump/Flange Kit Combined)	8.6 lbs. (4 kg)
Pipe Length	

Equivalent pipe length using Grundfos GTK03 pump at 120°F (49° C) = Up to 200 Ft (61 m) (3/4" piping).

Equivalent pipe length includes supply piping, return piping and fittings. The installer/contractor/engineer must calculate the total equivalent pipe length of the piping system.

Warranty

Manufacturer's Warranty Applies

Requirements

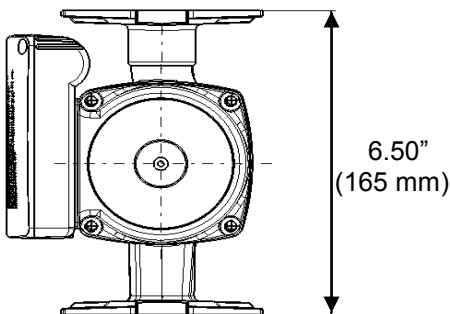
Grundfos GTK03 Kit must be used with Rinnai Tankless Water Heaters utilizing Rinnai Circ-Logic™.

Grundfos GTK03 Pump Kit is included with the following kits

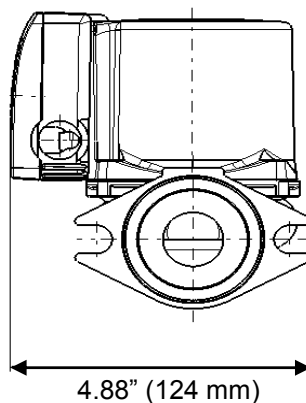
- Control-R™ Wireless Demand Recirculation Kit:
1 Push Button with Pump (Part # RWMKT01P)
- Control-R™ Wireless Demand Recirculation Kit:
1 Push Button, 1 Temperature Sensor and Pump (Part # RWMKT03P)

DIMENSIONS

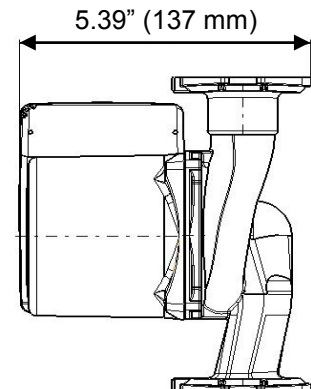
FRONT



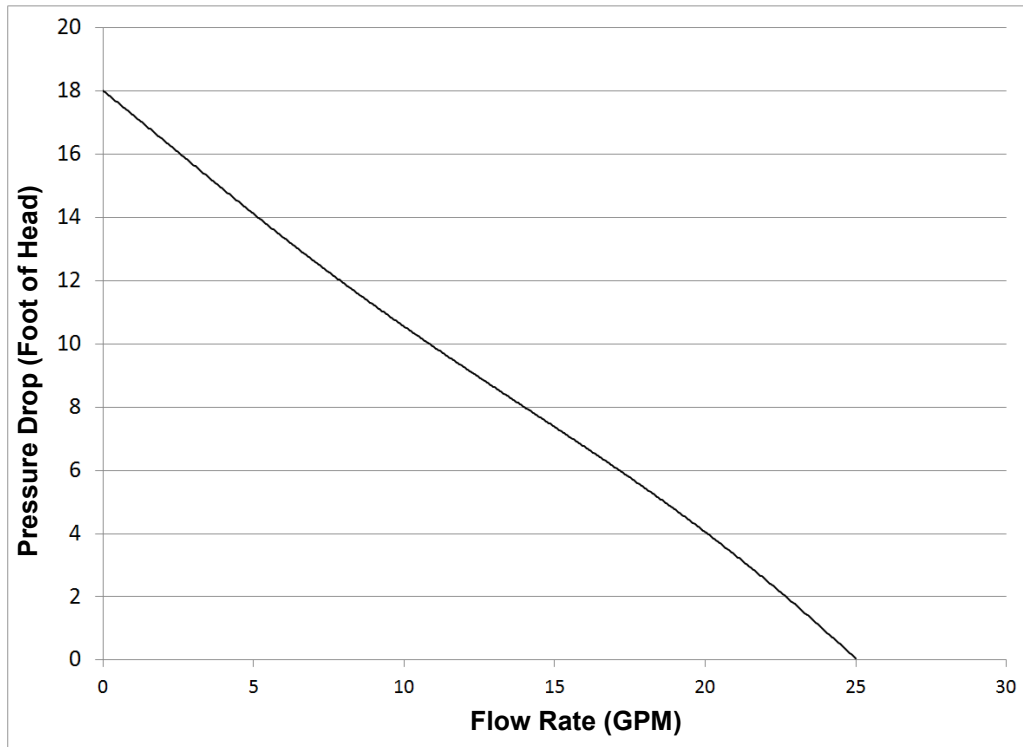
TOP



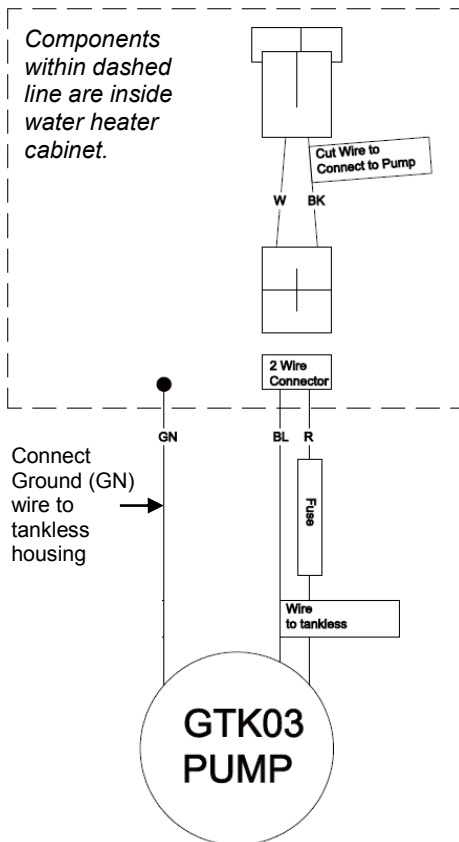
SIDE



Pump Performance Curve



Electrical Diagram



Wiring Table

Description	GTK03 (Pump)	Rinnai Circ-Logic™
+115VAC (Circ-Logic™)	Red (R) (with fuse)	Black (BK)
Neutral (Circ-Logic™)	Blue (BL)	White (W)
Ground	Green (GN)	Connect Ground to Tankless Housing

Rinnai

Learn more about Rinnai high-performance Commercial and Residential Tankless Water Heaters, Hybrid Tank-Tankless Water Heaters, Boilers, Vent-Free Fan Convectors and EnergySaver® Direct Vent Wall Furnaces at:

rinnai.us | rinnai.ca

1-800-621-9419